

PRINTING INSTRUCTIONS

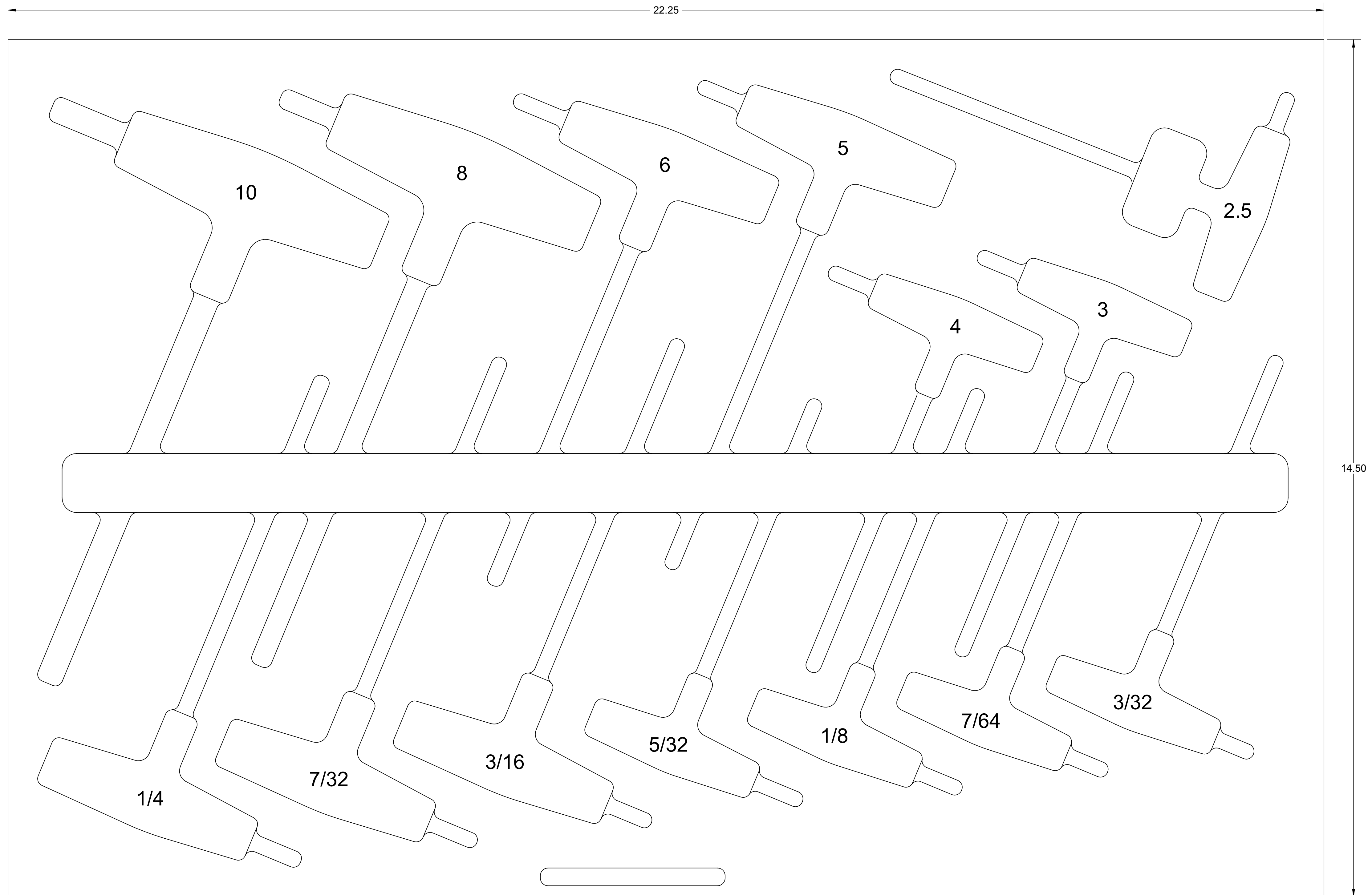
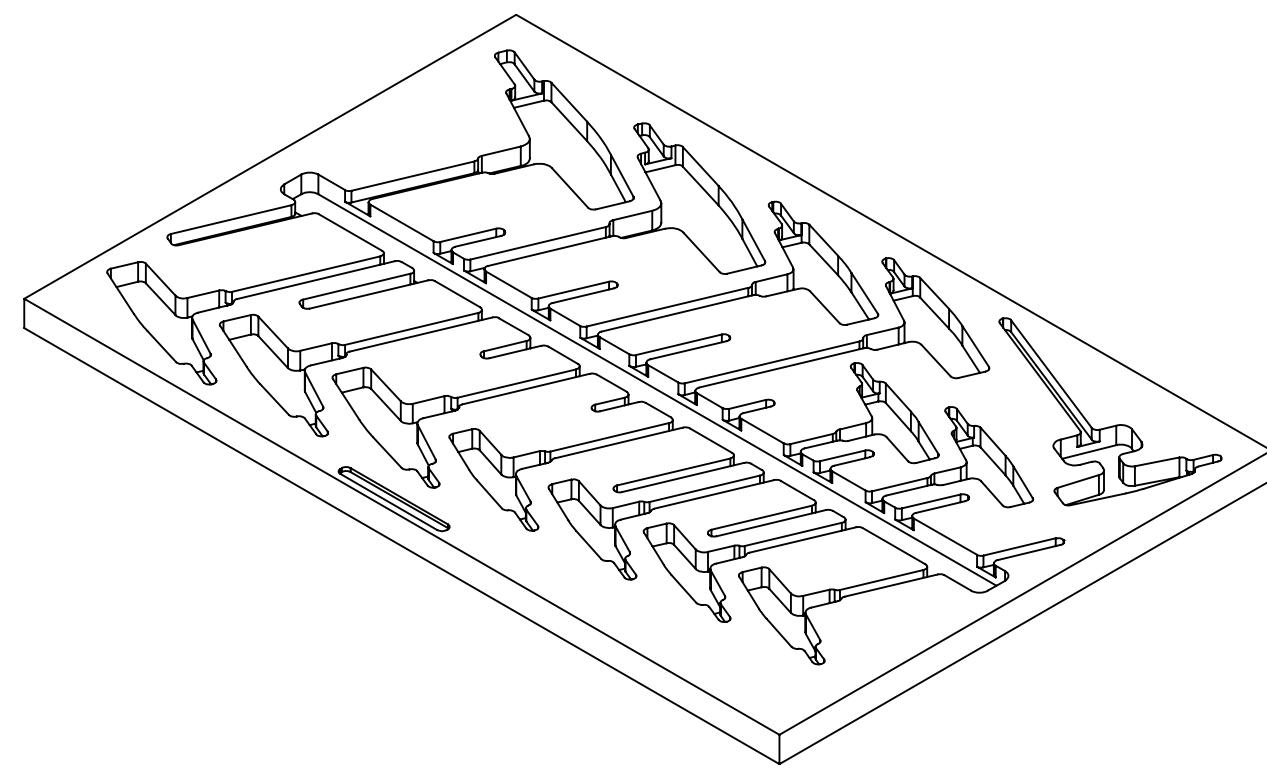
We recommend printing at full-scale to check the fit with your tools before ordering.

Option 1: Print this page full-scale on a large-format printer (D-Size, 34 inches X 22 inches).

Option 2: Print page 2 - 9 on 8-1/2 X 11 inch paper and assemble.

Thank You!

THE INFORMATION CONTAINED ON THIS DRAWING IS THE SOLE PROPERTY OF FOAMFIT TOOLS AND MAY NOT BE USED WITHOUT PERMISSION.
Copyright 2016 FoamFit Tools



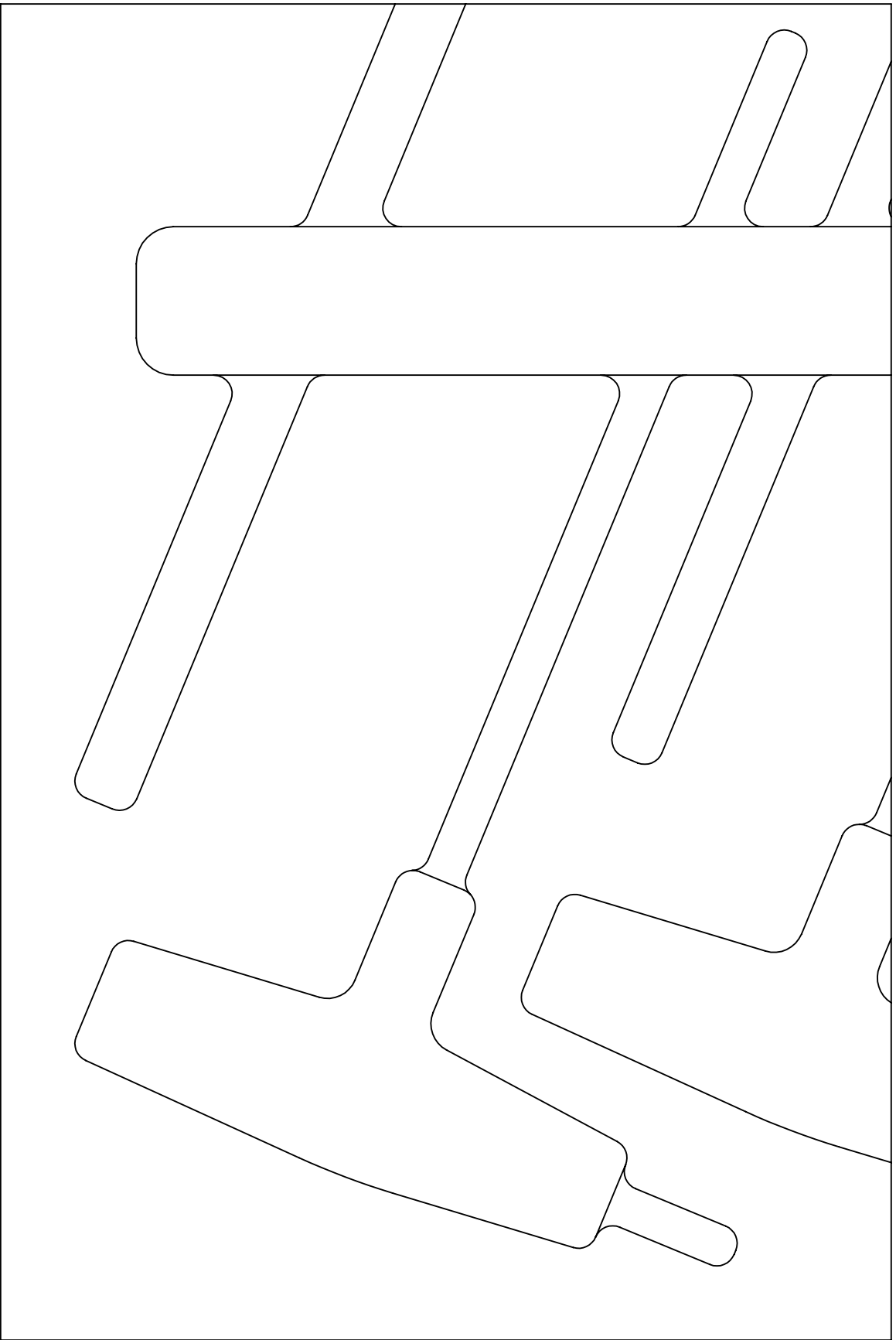
← 1.00 IN →

↑ 1.00 IN ↓

PAGE KEY



Print on Letter at 100%



DATE CREATED

19 FEB 2016

PART NUMBER

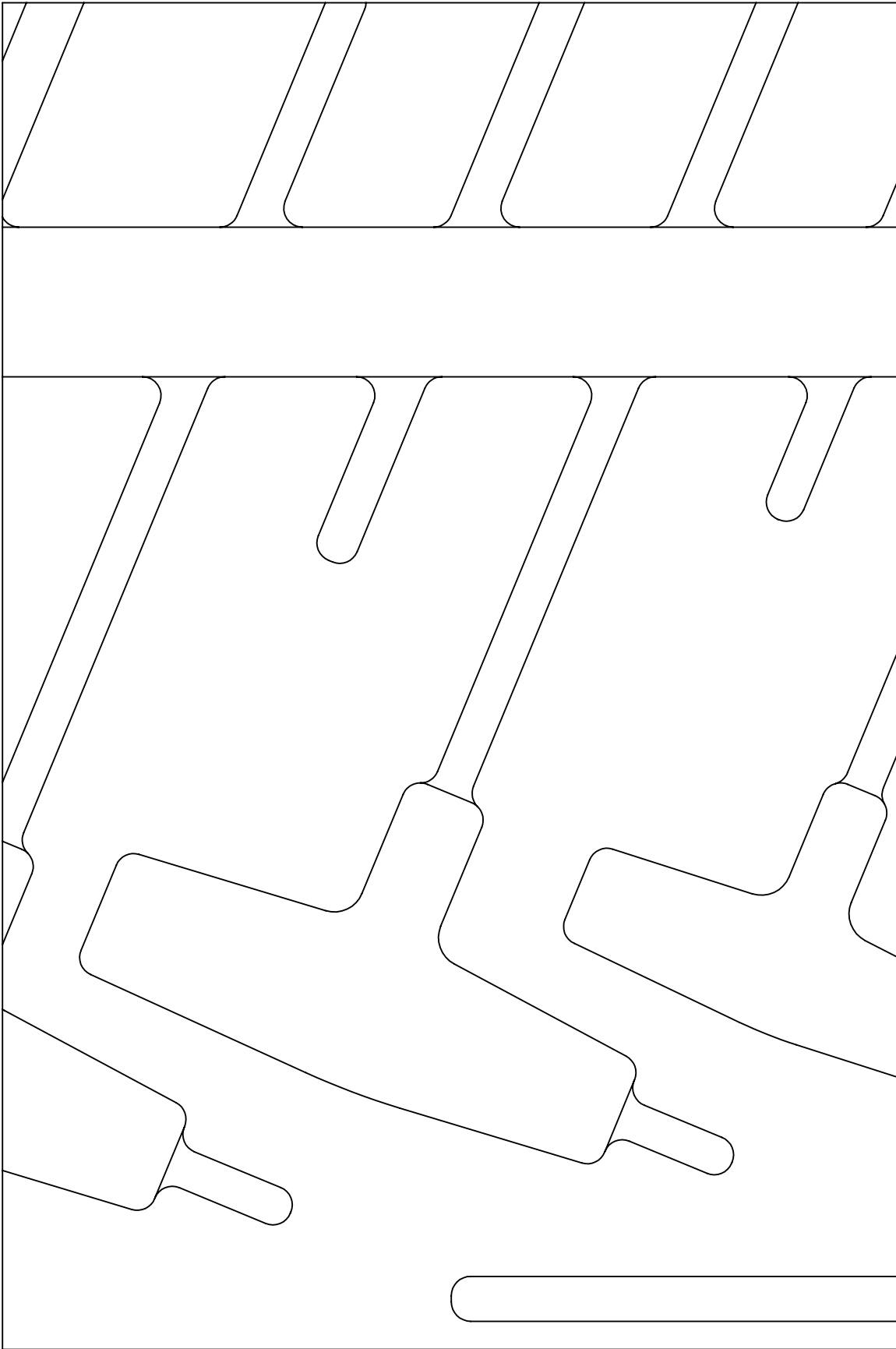
F1M-01343

1.00 IN

PAGE KEY



1.00 IN



Print on Letter at 100%

DATE CREATED

19 FEB 2016

PART NUMBER

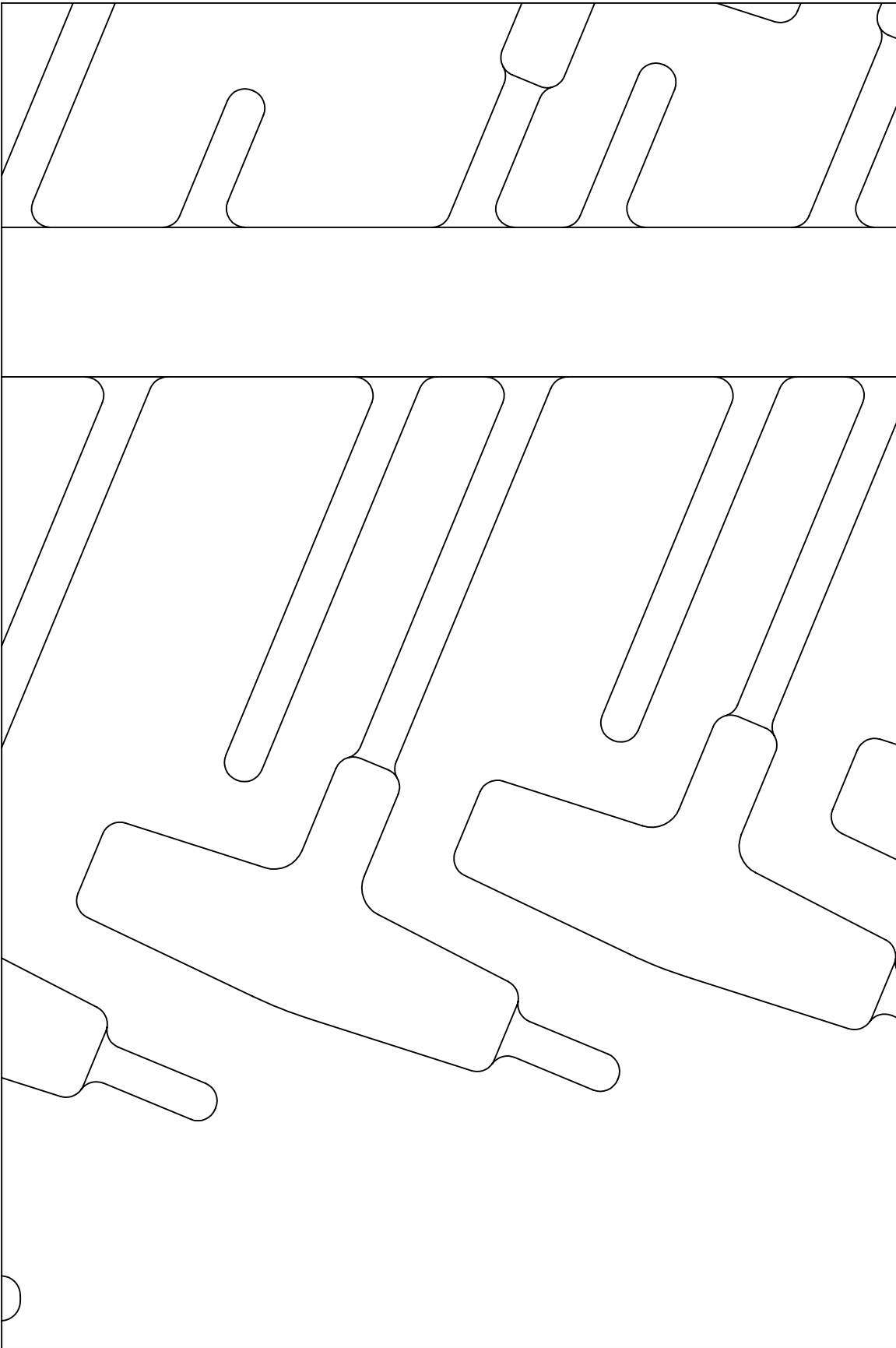
F1M-01343

1.00 IN

PAGE KEY



1.00 IN



Print on Letter at 100%

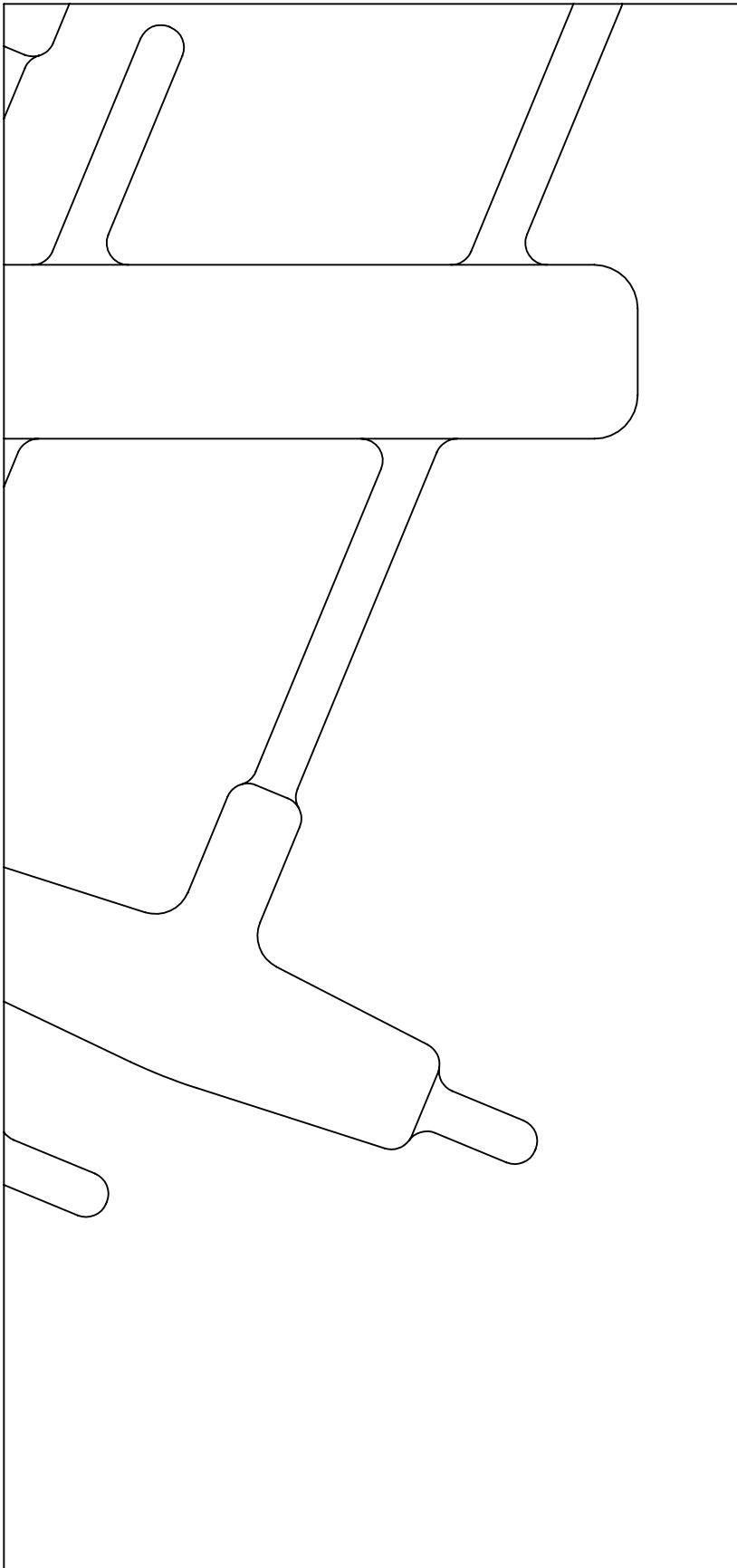
DATE CREATED

19 FEB 2016

PART NUMBER

F1M-01343

Print on Letter at 100%



PAGE KEY



DATE CREATED

19 FEB 2016

PART NUMBER

F1M-01343

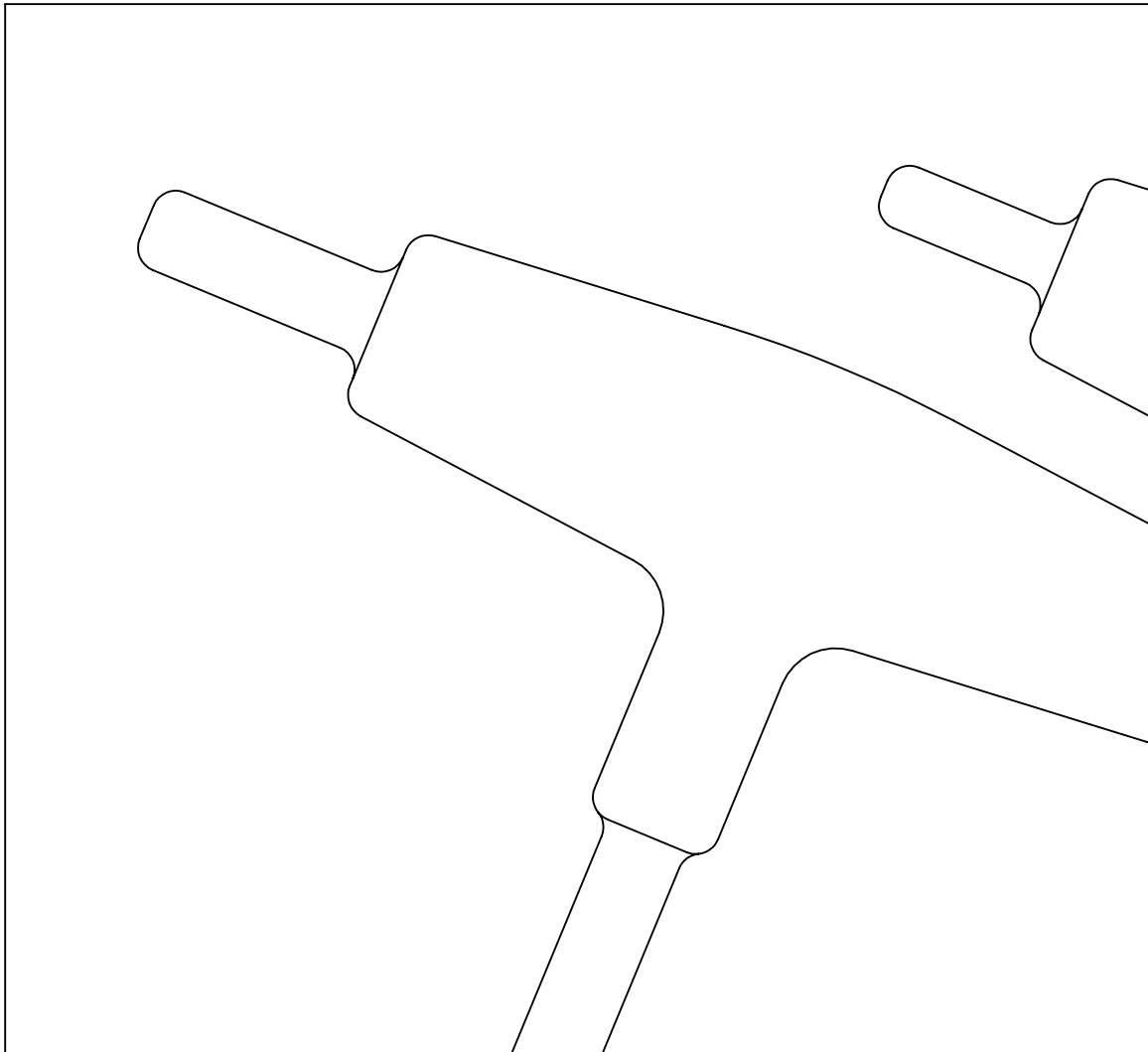
1.00 IN

PAGE KEY



1.00
IN

Print on Letter at 100%



DATE CREATED

19 FEB 2016

PART NUMBER

F1M-01343

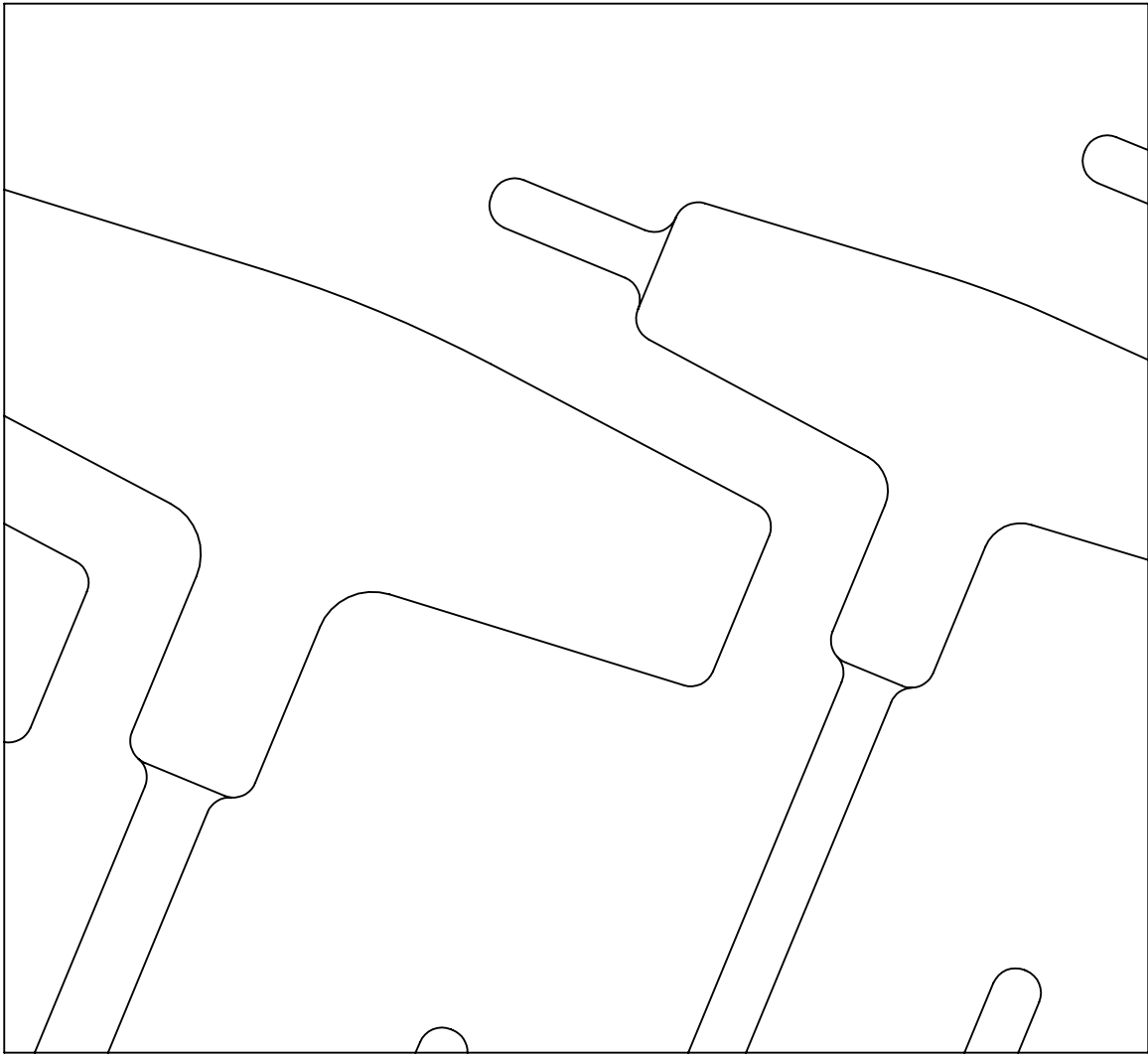
1.00 IN

PAGE KEY



1.00
IN

Print on Letter at 100%



DATE CREATED

19 FEB 2016

PART NUMBER

F1M-01343

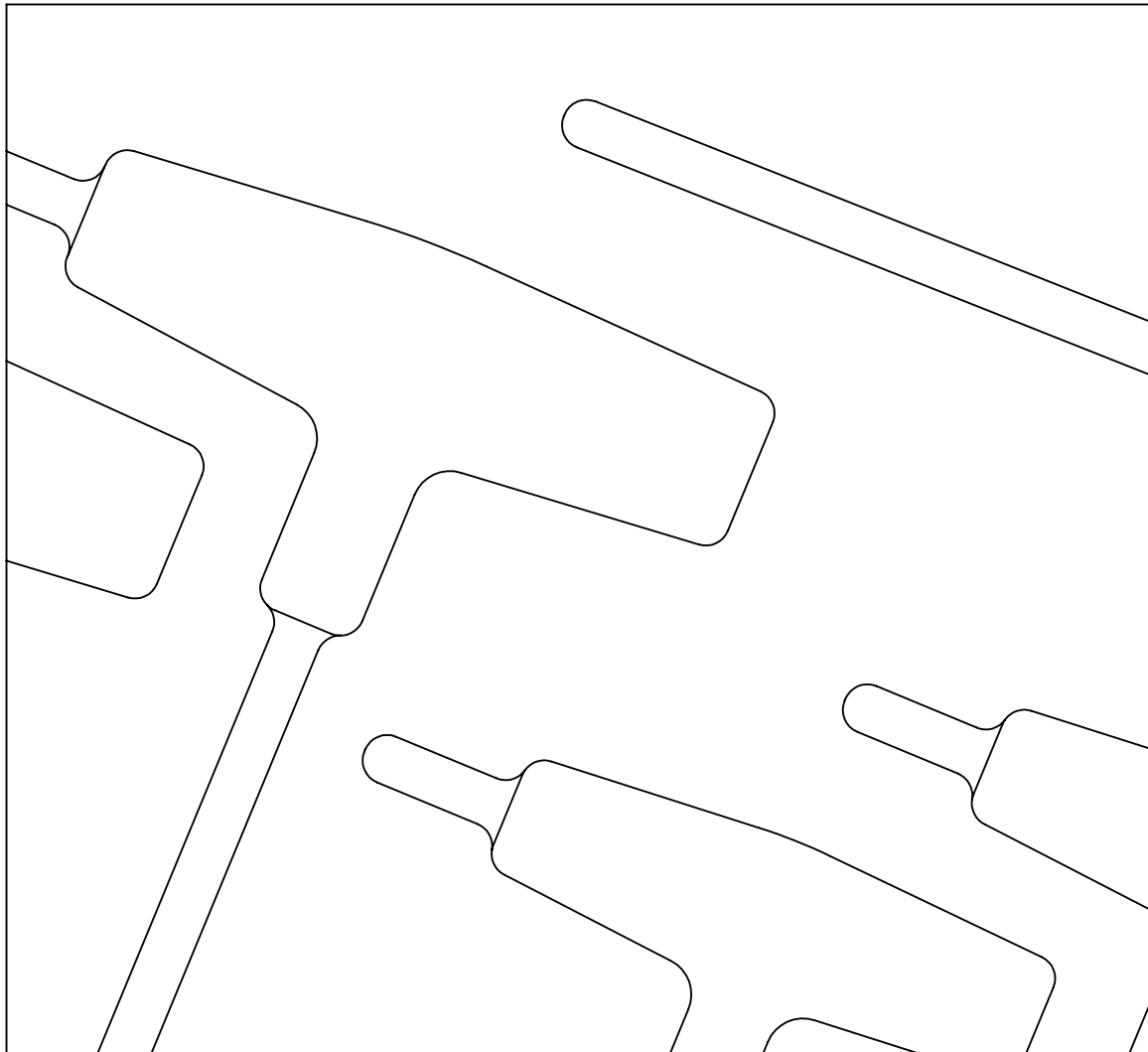
1.00 IN

PAGE KEY



1.00
IN

Print on Letter at 100%



DATE CREATED

19 FEB 2016

PART NUMBER

F1M-01343

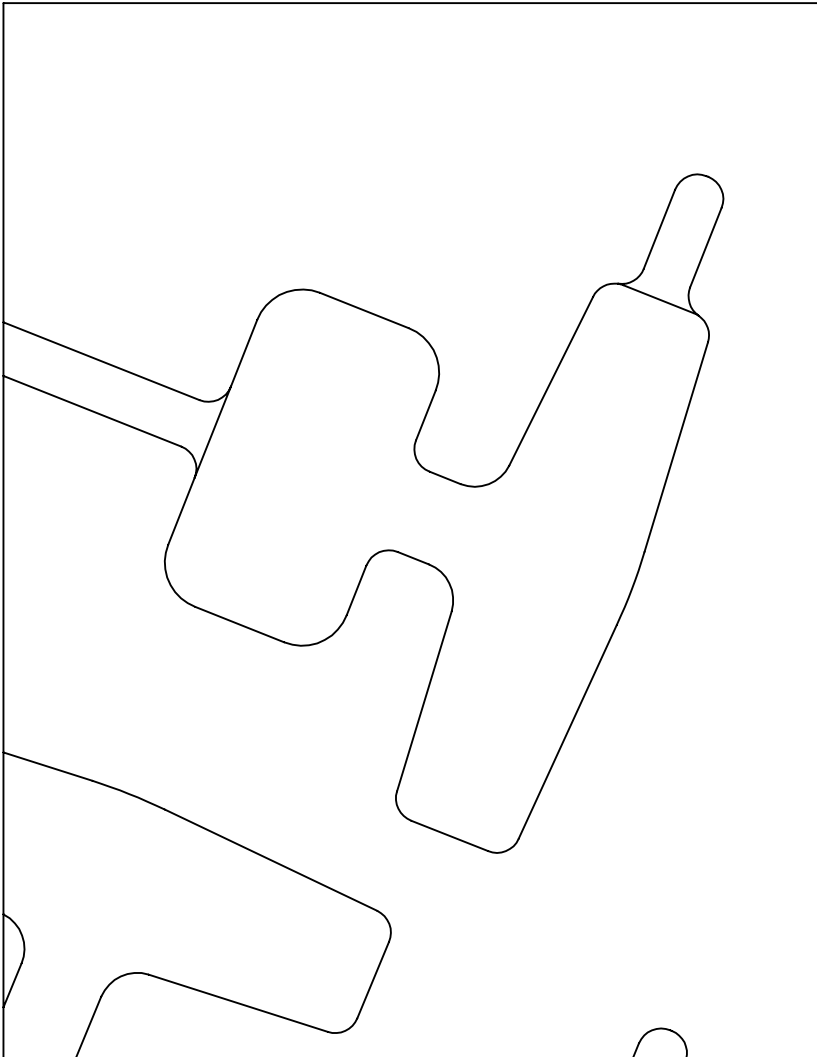
1.00 IN

PAGE KEY



1.00
IN

Print on Letter at 100%



DATE CREATED

19 FEB 2016

PART NUMBER

F1M-01343