

THE INFORMATION CONTAINED ON THIS DRAWING IS THE SOLE PROPERTY OF FOAMFIT TOOLS AND MAY NOT BE USED WITHOUT PERMISSION. Copyright 2023 FoamFit Tools

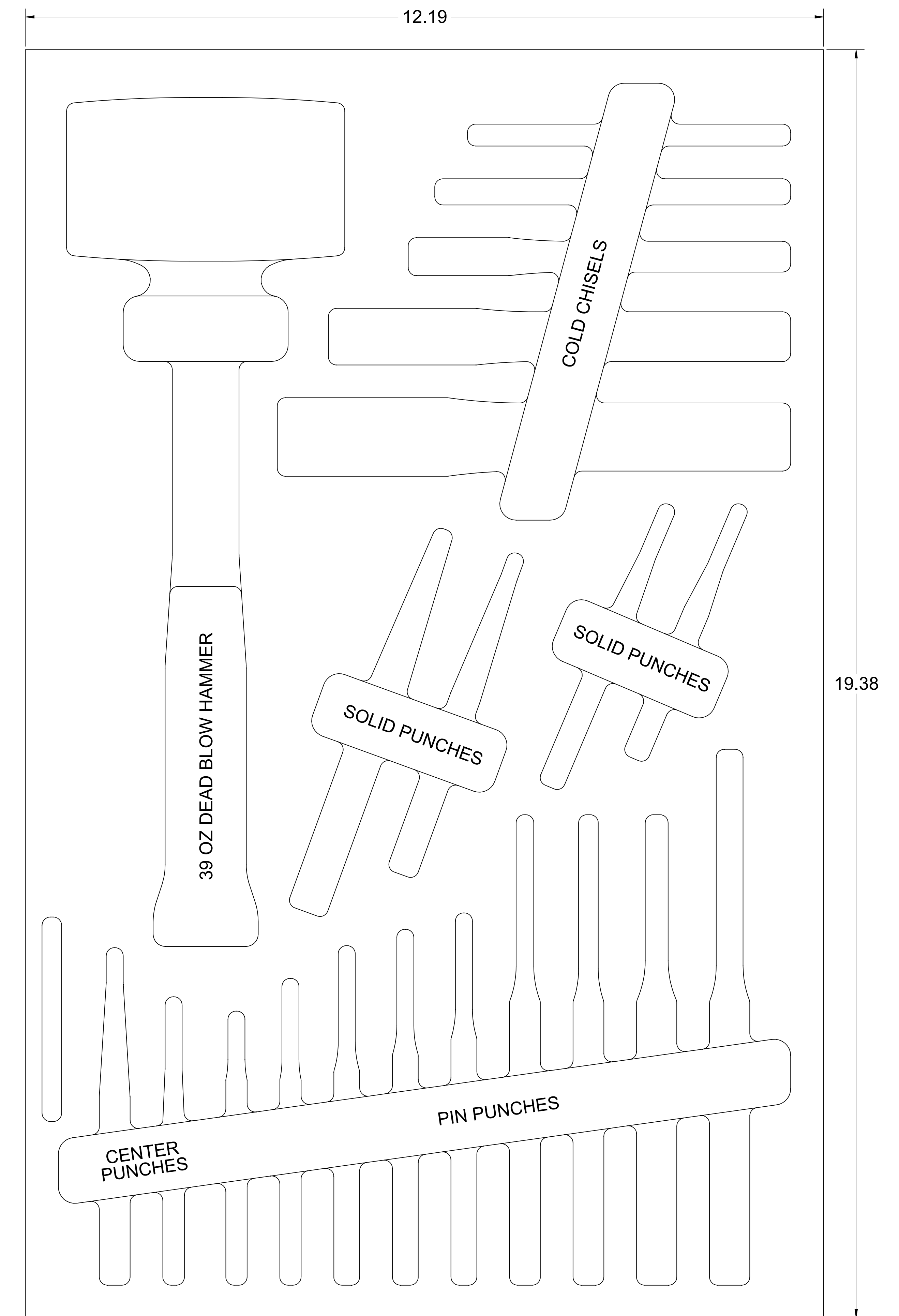
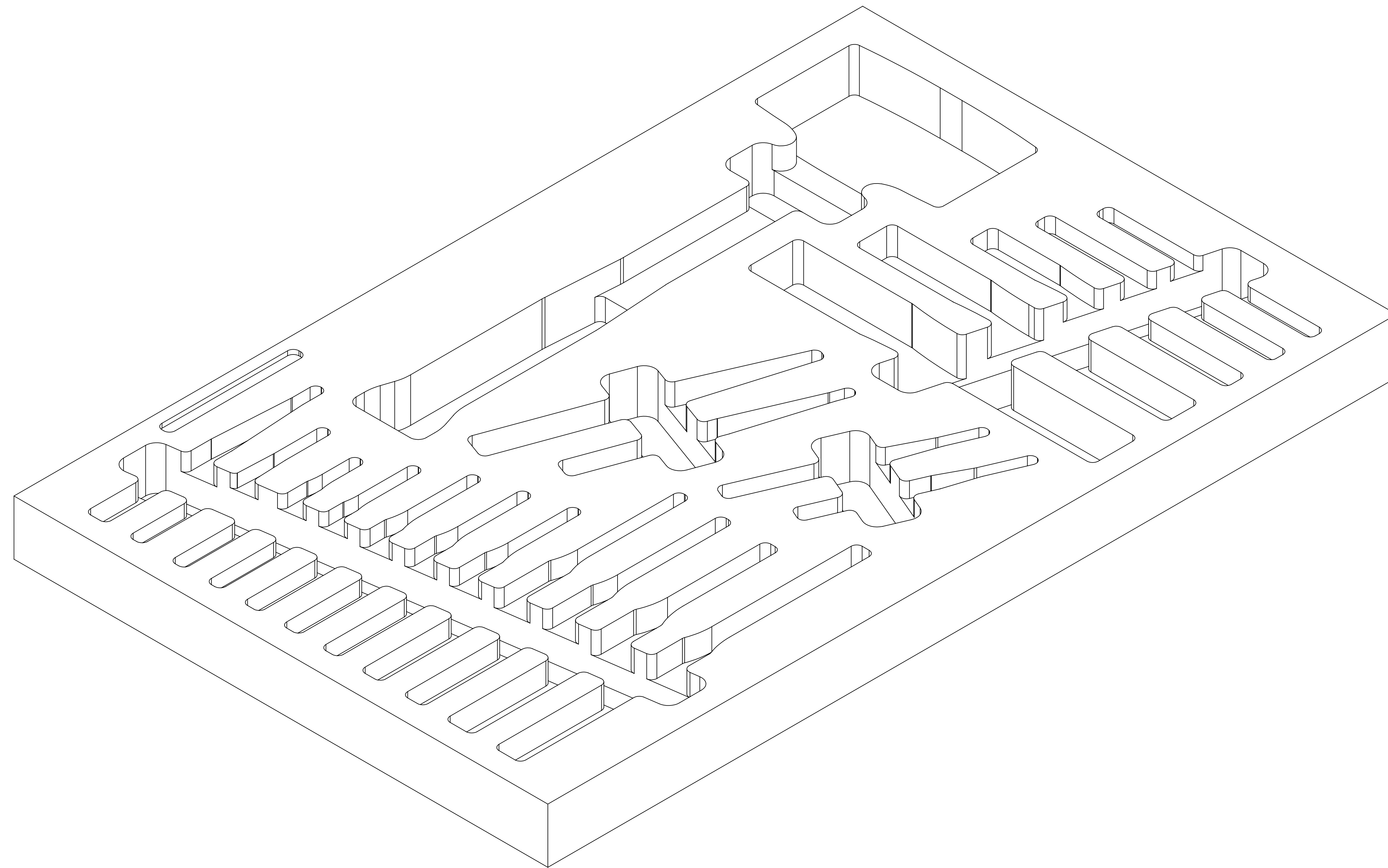
**PRINTING INSTRUCTIONS**

We recommend printing at full-scale to check the fit with your tools before ordering.

**Option 1:** Print this page full-scale on a large-format printer (E-Size, 44 inches X 34 inches).

**Option 2:** Print page 2 - 10 on 8-1/2 X 11 inch paper and assemble.

**Thank You!**



5.00 IN

19.38

12.19

39 OZ DEAD BLOW HAMMER

COLD CHISELS

SOLID PUNCHES

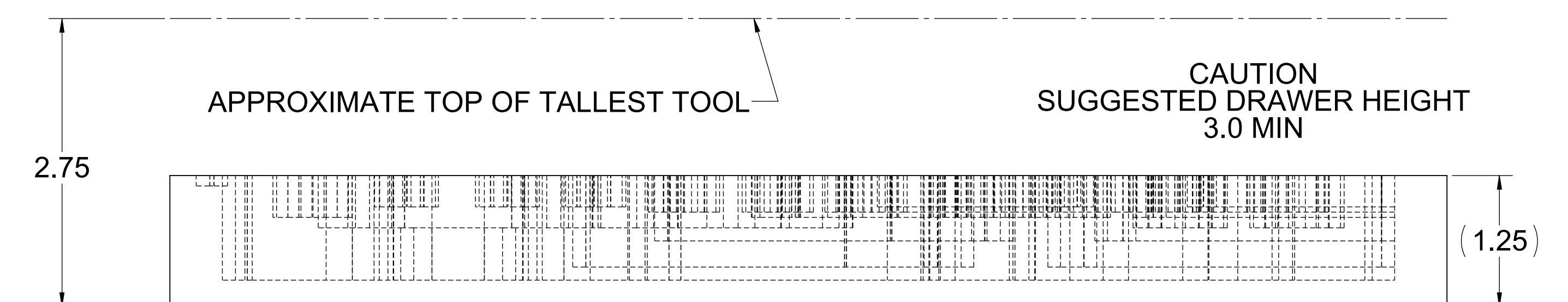
SOLID PUNCHES

CENTER PUNCHES

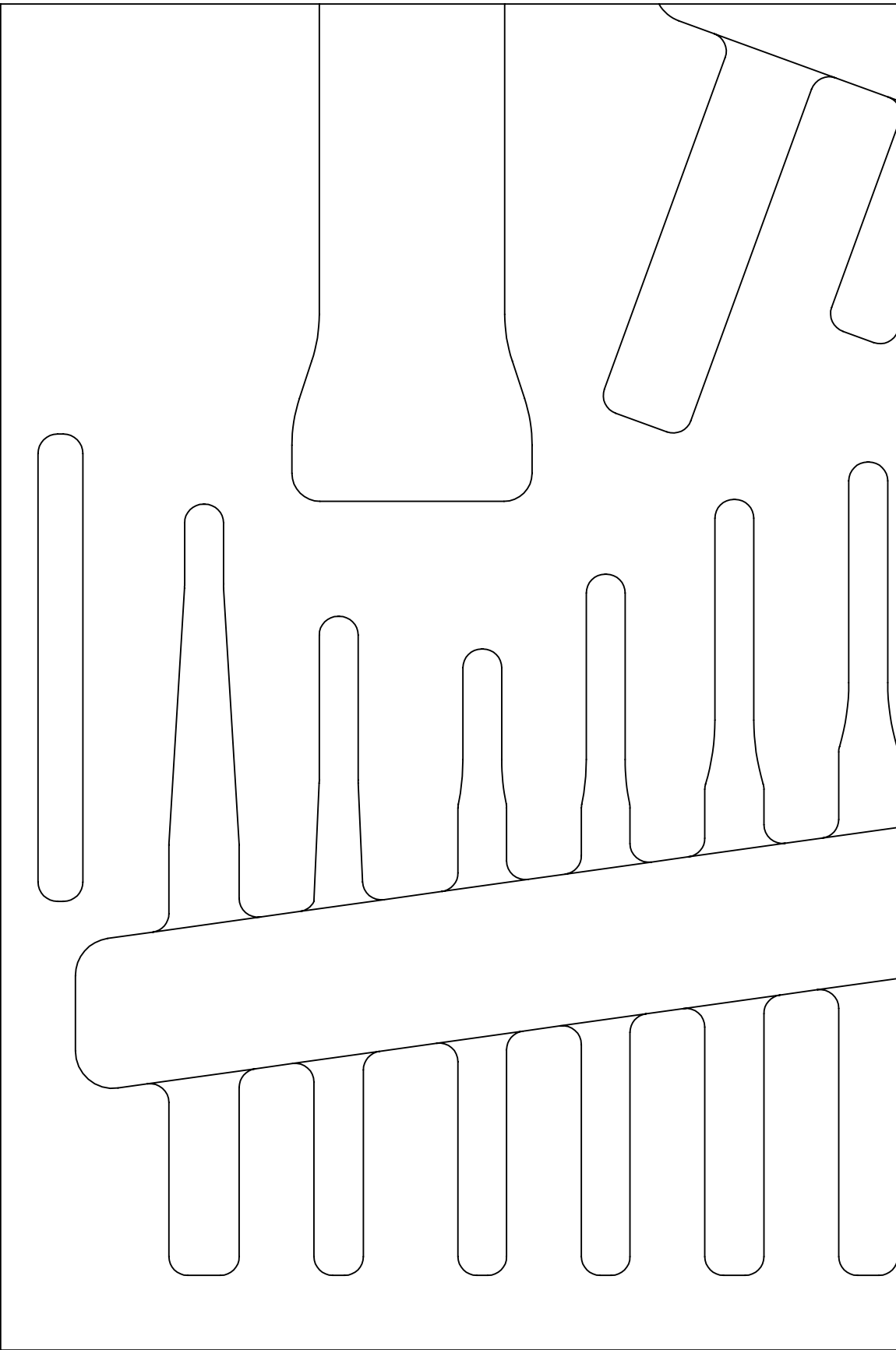
PIN PUNCHES

PART NUMBER F-05469-T

PART NUMBER



Print on Letter at 100%



1.00 IN

1.00 IN

PAGE KEY



DATE CREATED

**17 DEC 2023**

PART NUMBER

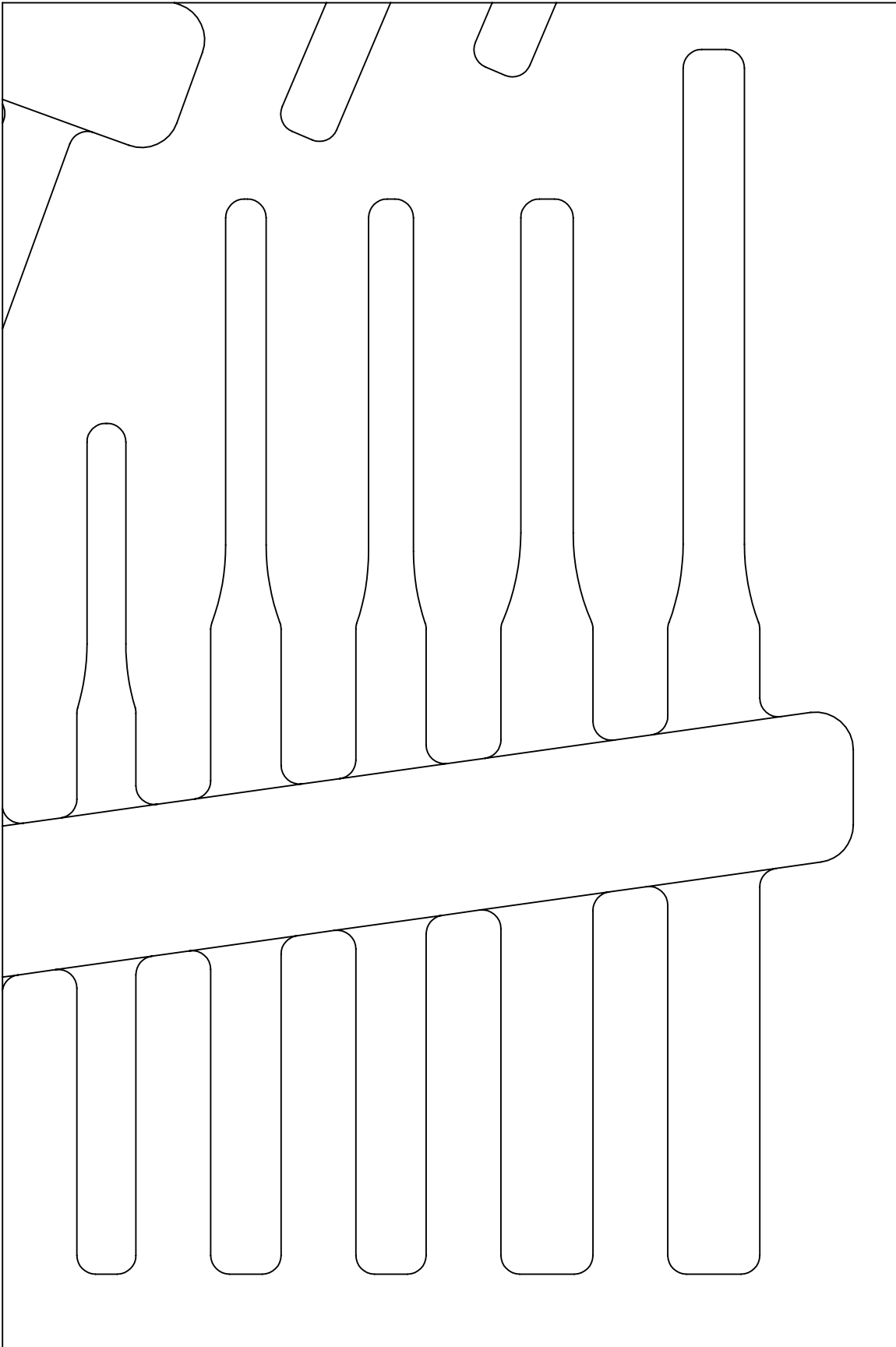
**F-05469-T**

← 1.00 IN →

PAGE KEY



1.00  
IN



Print on Letter at 100%

DATE CREATED

**17 DEC 2023**

PART NUMBER

**F-05469-T**

Print on Letter at 100%

1.00  
IN

1.00 IN



PAGE KEY



DATE CREATED

**17 DEC 2023**

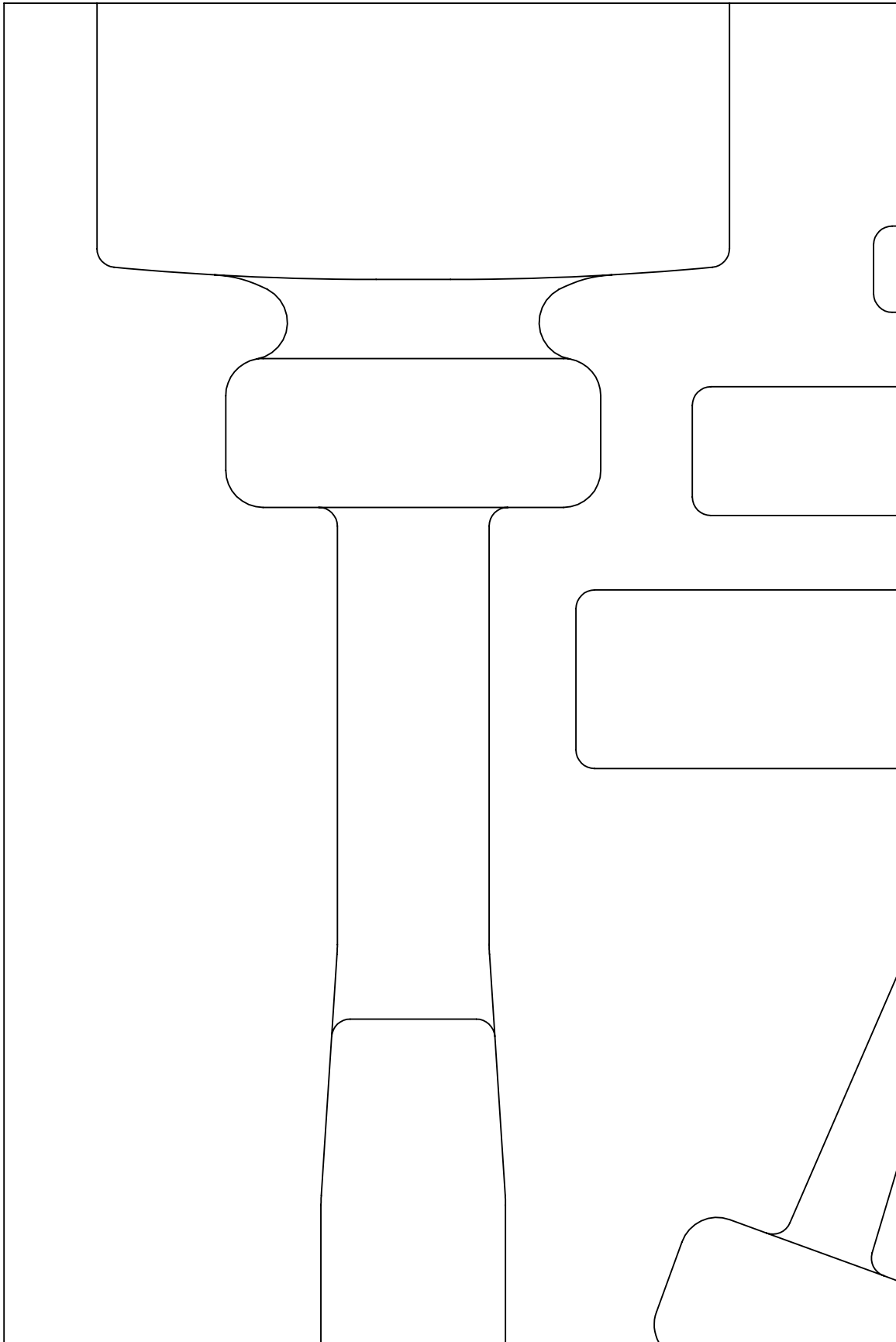
PART NUMBER

**F-05469-T**

Print on Letter at 100%

1.00 IN

1.00  
IN



PAGE KEY

X					
---	--	--	--	--	--

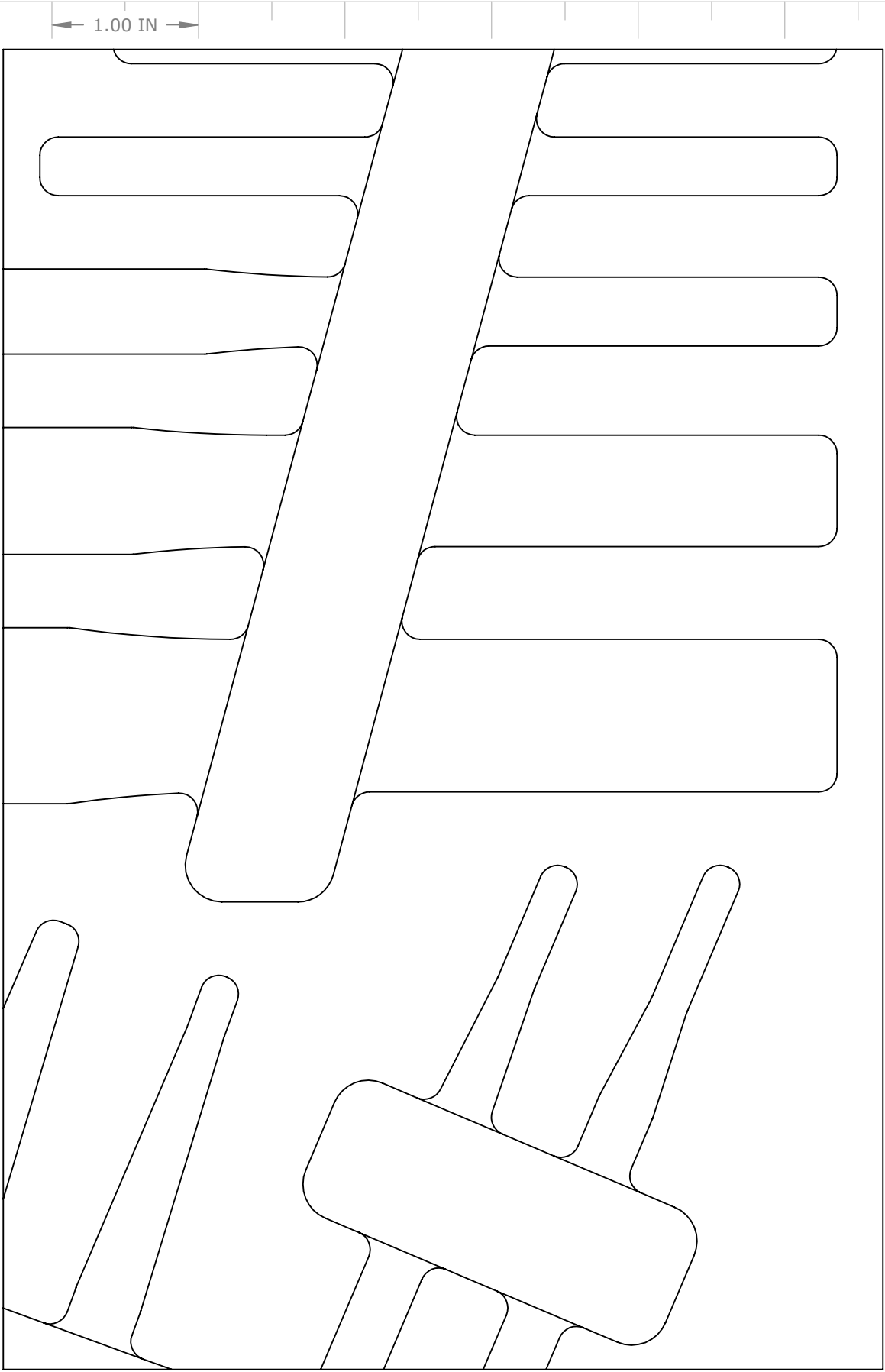
DATE CREATED

**17 DEC 2023**

PART NUMBER

**F-05469-T**

Print on Letter at 100%



PAGE KEY



DATE CREATED

**17 DEC 2023**

PART NUMBER

**F-05469-T**

1.00 IN

PAGE KEY



1.00  
IN



Print on Letter at 100%

DATE CREATED

**17 DEC 2023**

PART NUMBER

**F-05469-T**

1.00 IN

PAGE KEY

X					

1.00  
IN

DATE CREATED  
**17 DEC 2023**

PART NUMBER  
**F-05469-T**

Print on Letter at 100%





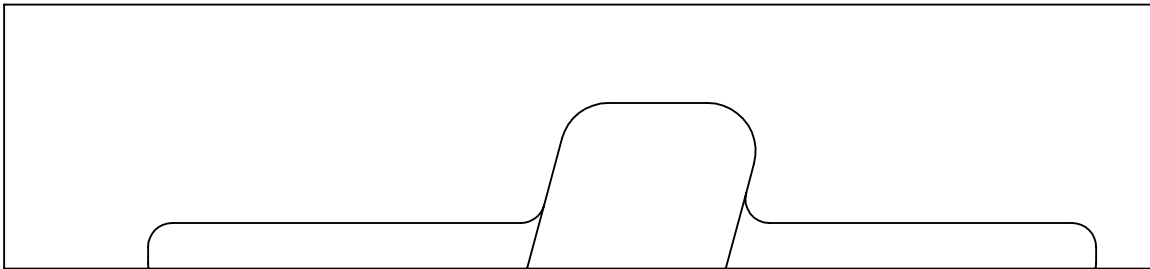
1.00 IN

PAGE KEY



1.00  
IN

Print on Letter at 100%



DATE CREATED

**17 DEC 2023**

PART NUMBER

**F-05469-T**

1.00 IN

PAGE KEY



1.00  
IN

Print on Letter at 100%



DATE CREATED

**17 DEC 2023**

PART NUMBER

**F-05469-T**