

PRINTING INSTRUCTIONS

We recommend printing at full-scale to check the fit with your tools before ordering.

Option 1: Print this page full-scale on a large-format printer (E-Size, 44 inches X 34 inches).

Option 2: Print page 3 - 20 on 8-1/2 X 11 inch paper and assemble.

Thank You!

THE INFORMATION CONTAINED ON THIS DRAWING IS THE SOLE PROPERTY OF FOAMFIT TOOLS AND MAY NOT BE USED WITHOUT PERMISSION.
Copyright 2020 FoamFit Tools

5.00
IN

MIN
RECOMMENDED
TRIM DOWN
30.00

5.00
IN

13-PIECE
INCH
HEX

7-PIECE
BALL
TORX

9-PIECE
METRIC
HEX

10

8

6

5

4

3

2.5

2

22.00

MIN
RECOMMENDED
TRIM DOWN
17.25

PART NUMBER
F-03790-R

PART NUMBER
F-03790-R

3/8

5/16

1/4

7/32

3/16

5/32

9/64

1/8

7/64

3/32

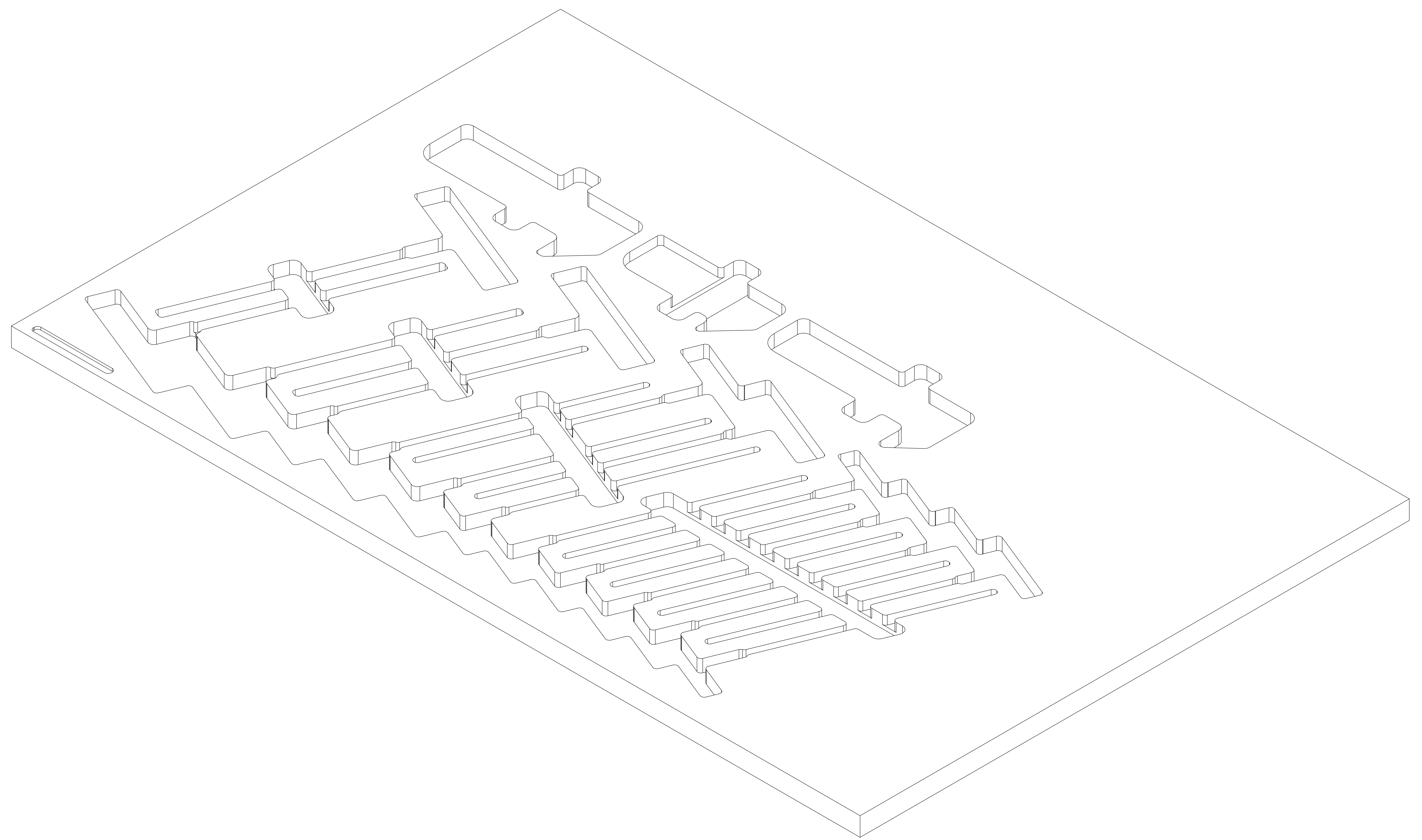
5/64

34.00

THE INFORMATION CONTAINED ON THIS DRAWING IS THE SOLE PROPERTY OF FOAMFIT TOOLS AND MAY NOT BE USED WITHOUT PERMISSION. Copyright 2020 FoamFit Tools

5.00
IN

5.00
IN



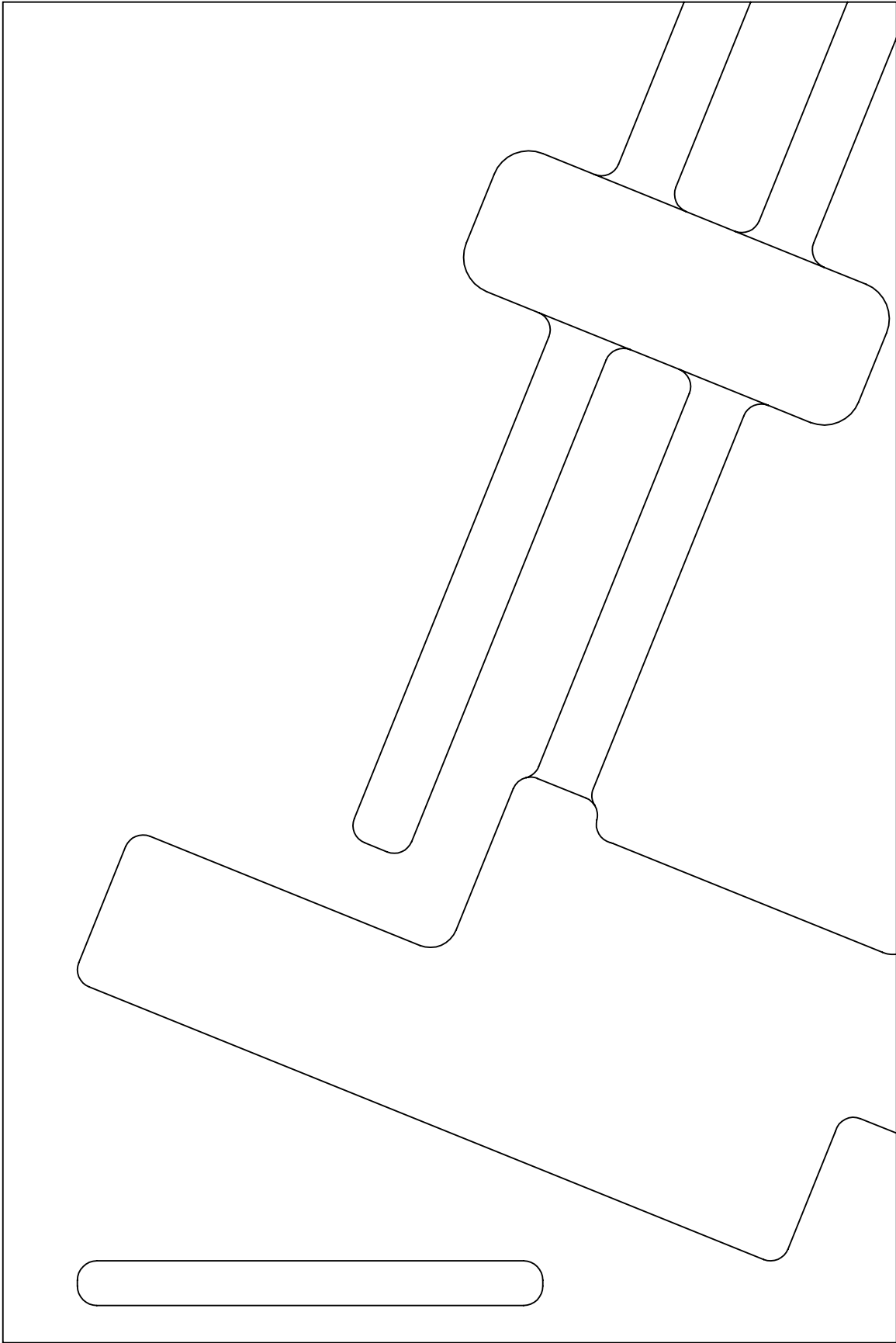
PART NUMBER
F-03790-R

← 1.00 IN →

↑ 1.00 IN ↓

PAGE KEY

X									



Print on Letter at 100%

DATE CREATED

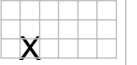
17 SEP 2020

PART NUMBER

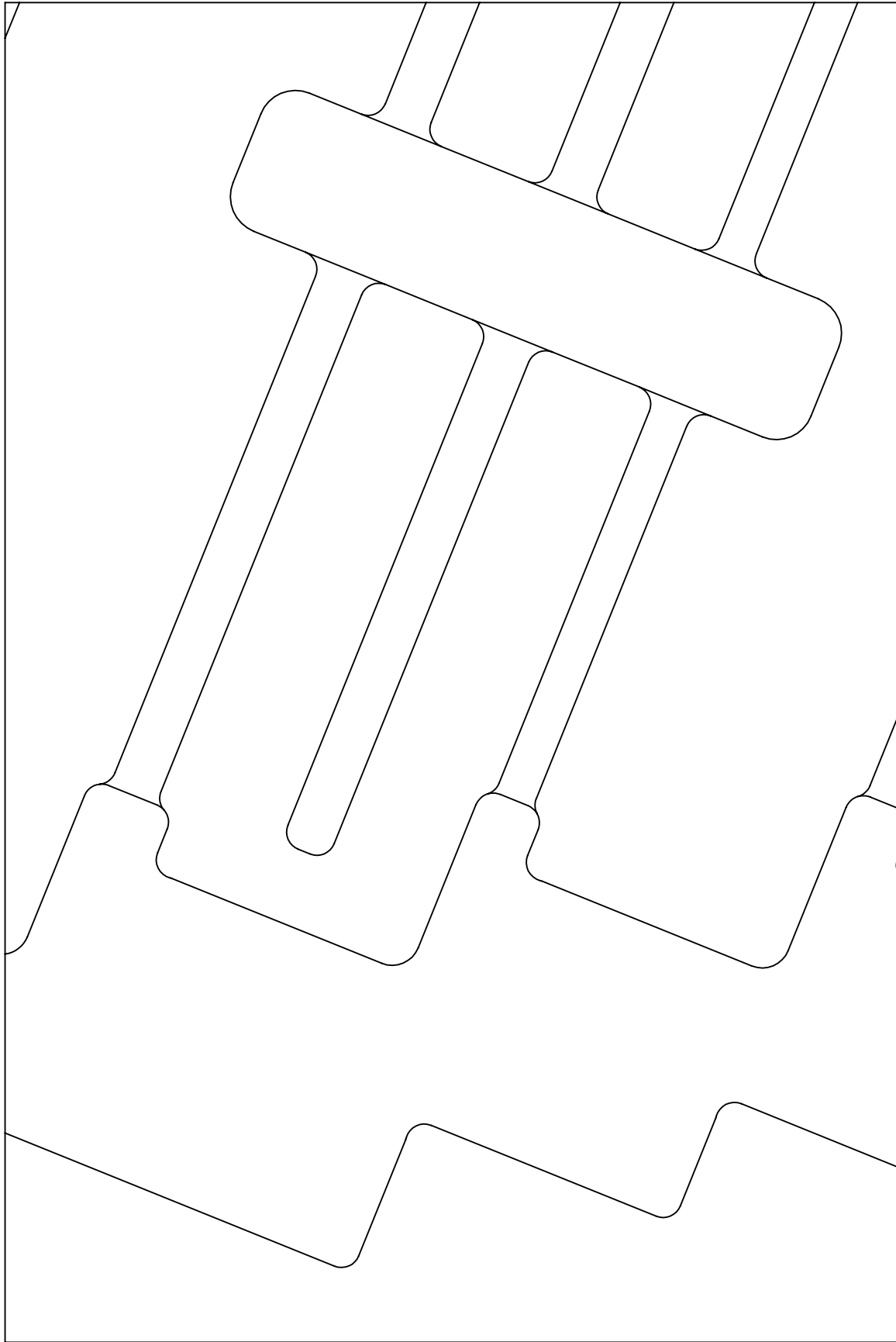
F-03790-R

1.00 IN

PAGE KEY



1.00 IN



Print on Letter at 100%

DATE CREATED

17 SEP 2020

PART NUMBER

F-03790-R

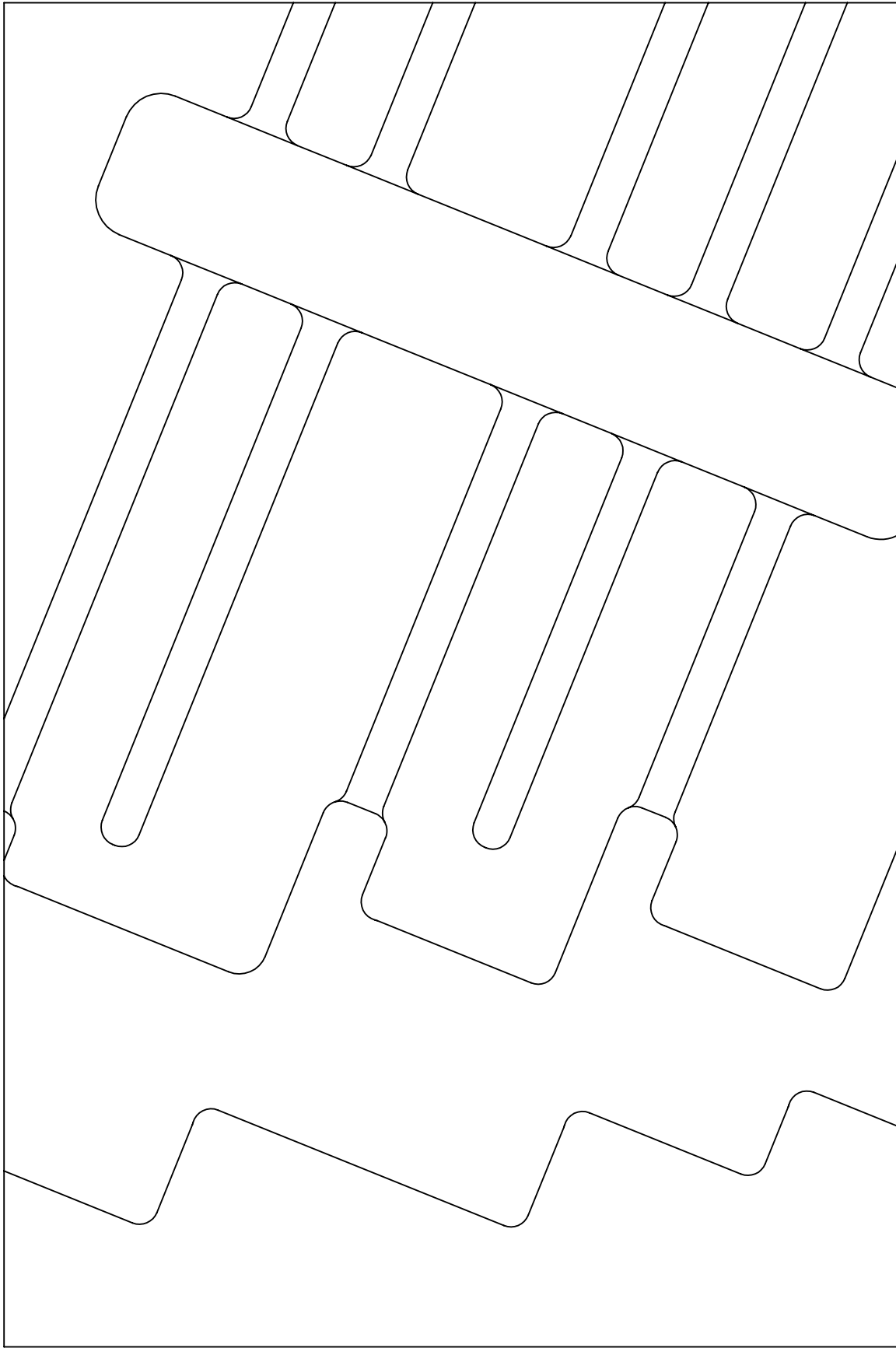
1.00 IN

1.00 IN

PAGE KEY



Print on Letter at 100%



DATE CREATED

17 SEP 2020

PART NUMBER

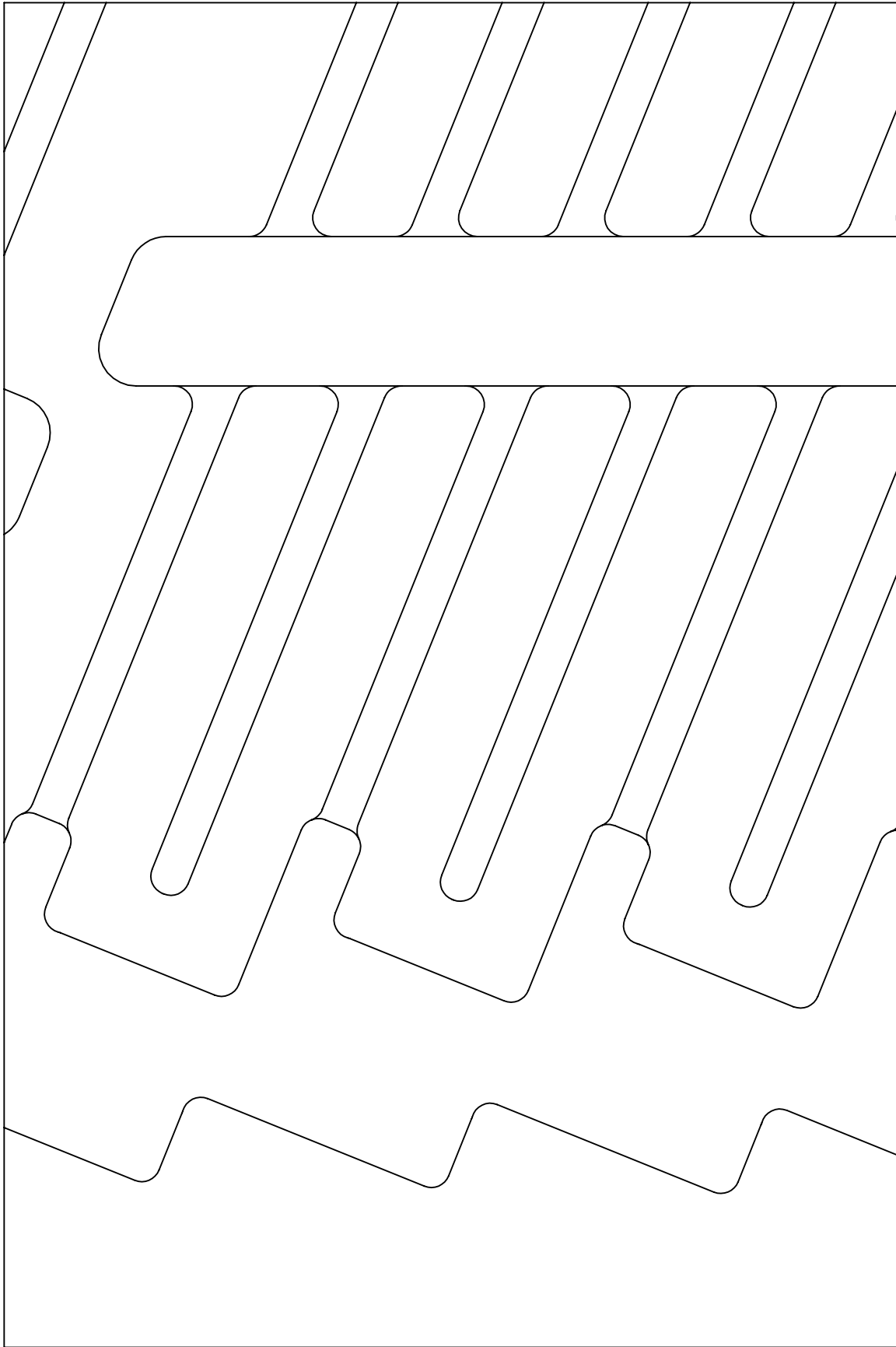
F-03790-R

1.00 IN

PAGE KEY



1.00
IN



Print on Letter at 100%

DATE CREATED

17 SEP 2020

PART NUMBER

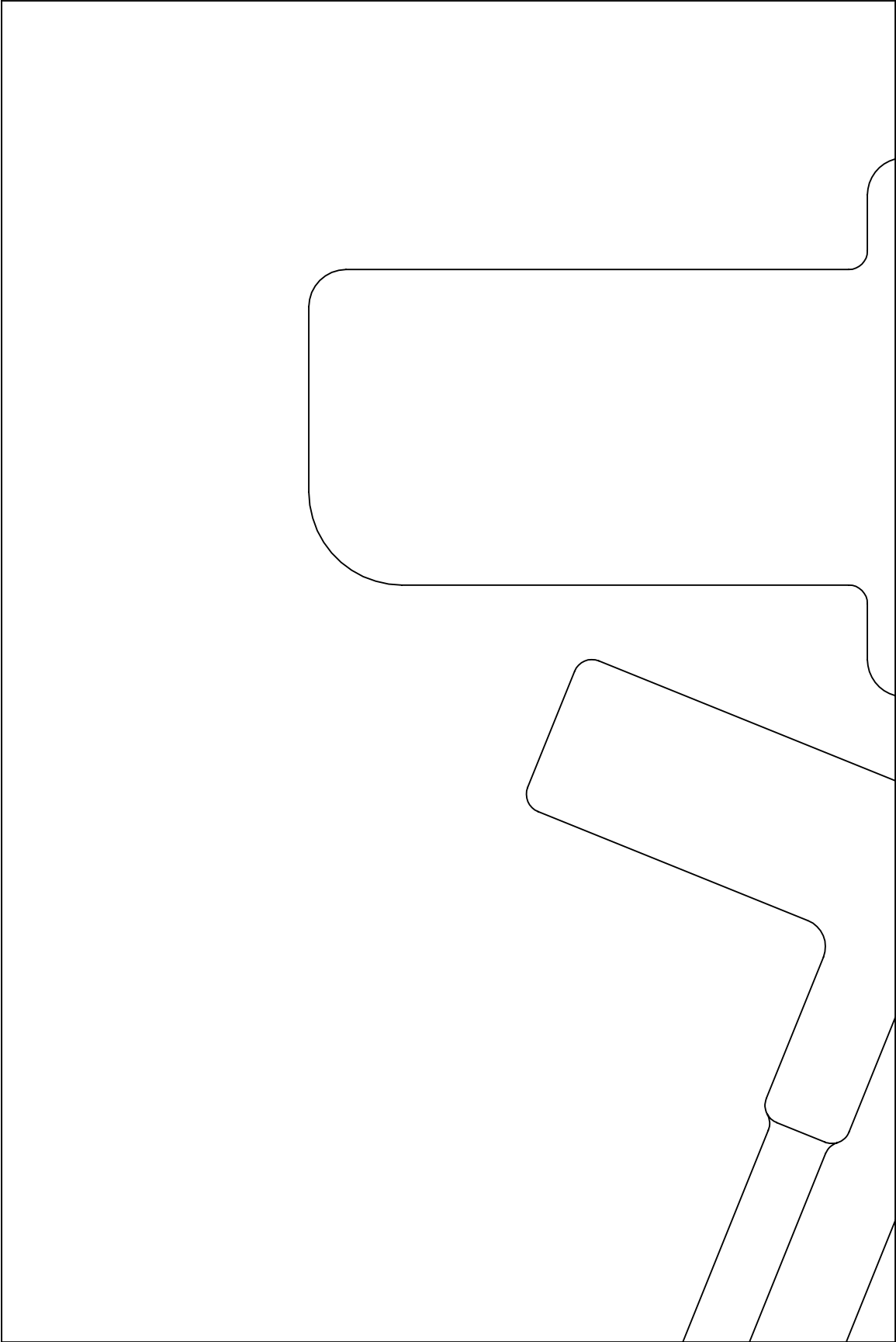
F-03790-R

1.00 IN

PAGE KEY

X									
---	--	--	--	--	--	--	--	--	--

1.00
IN



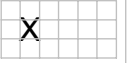
Print on Letter at 100%

PART NUMBER
F-03790-R

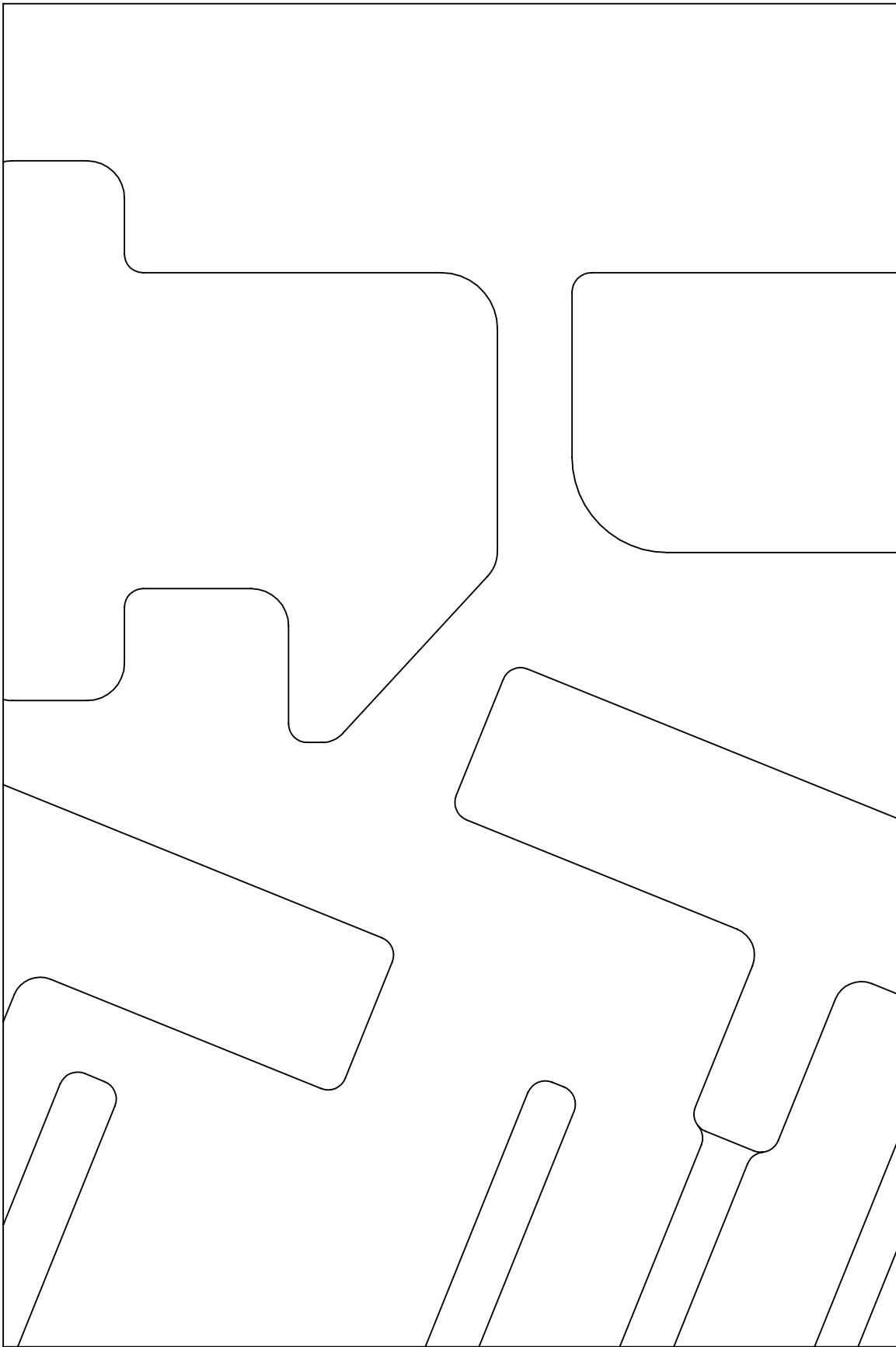
DATE CREATED
17 SEP 2020

1.00 IN

PAGE KEY



1.00
IN



Print on Letter at 100%

DATE CREATED

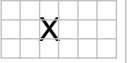
17 SEP 2020

PART NUMBER

F-03790-R

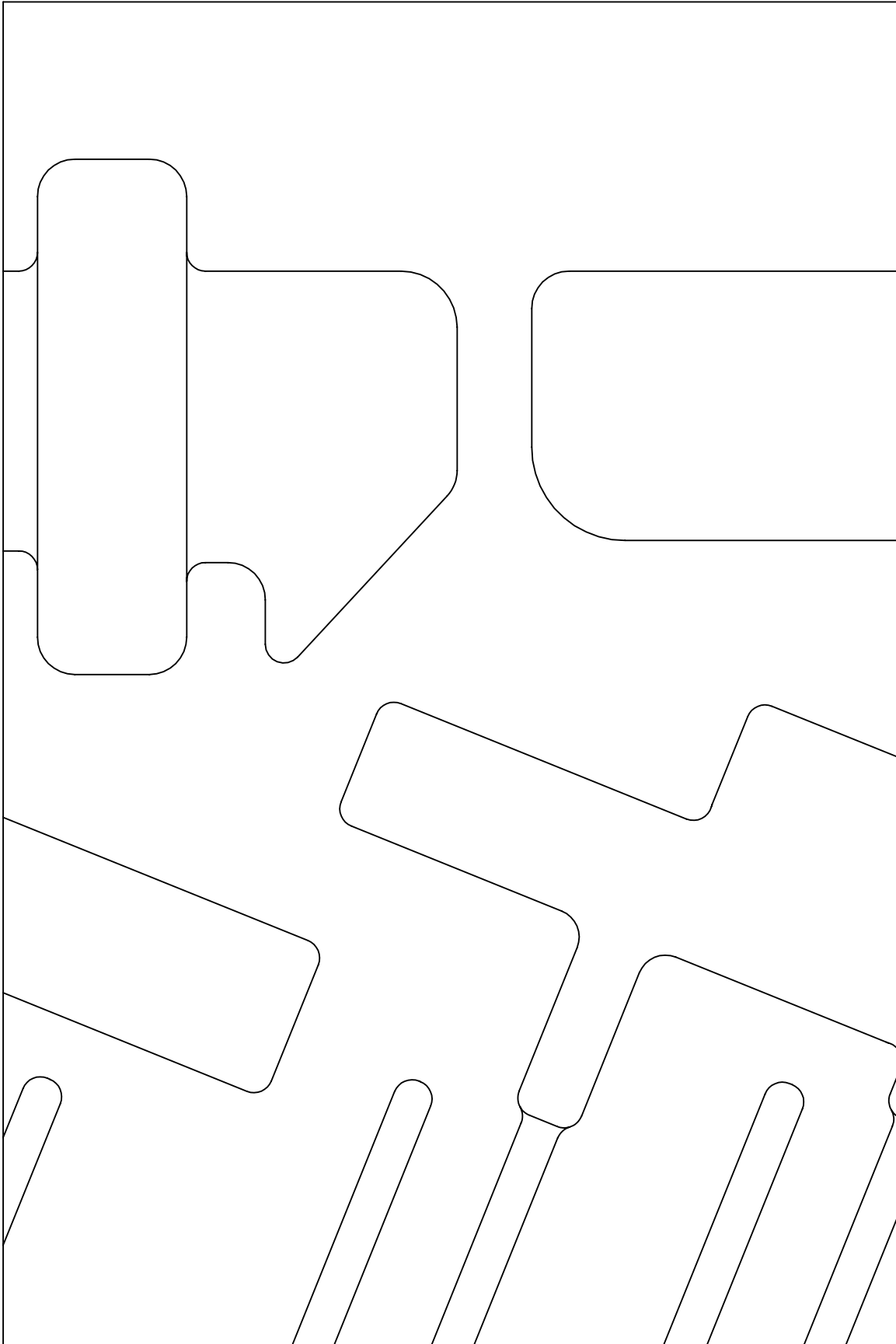
1.00 IN

PAGE KEY



1.00
IN

Print on Letter at 100%



DATE CREATED

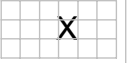
17 SEP 2020

PART NUMBER

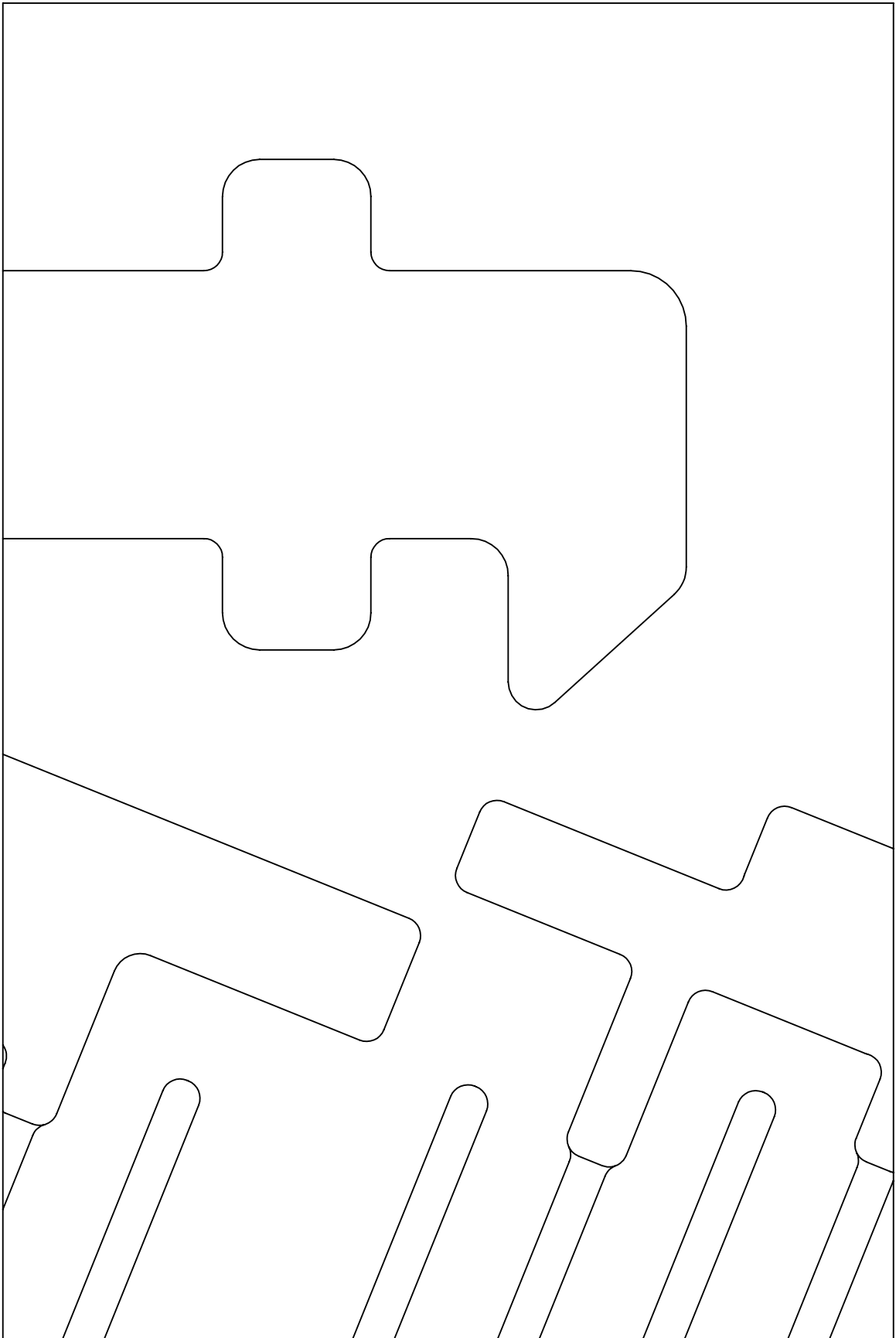
F-03790-R

← 1.00 IN →

PAGE KEY



↑ 1.00 IN ↓



Print on Letter at 100%

DATE CREATED

17 SEP 2020

PART NUMBER

F-03790-R

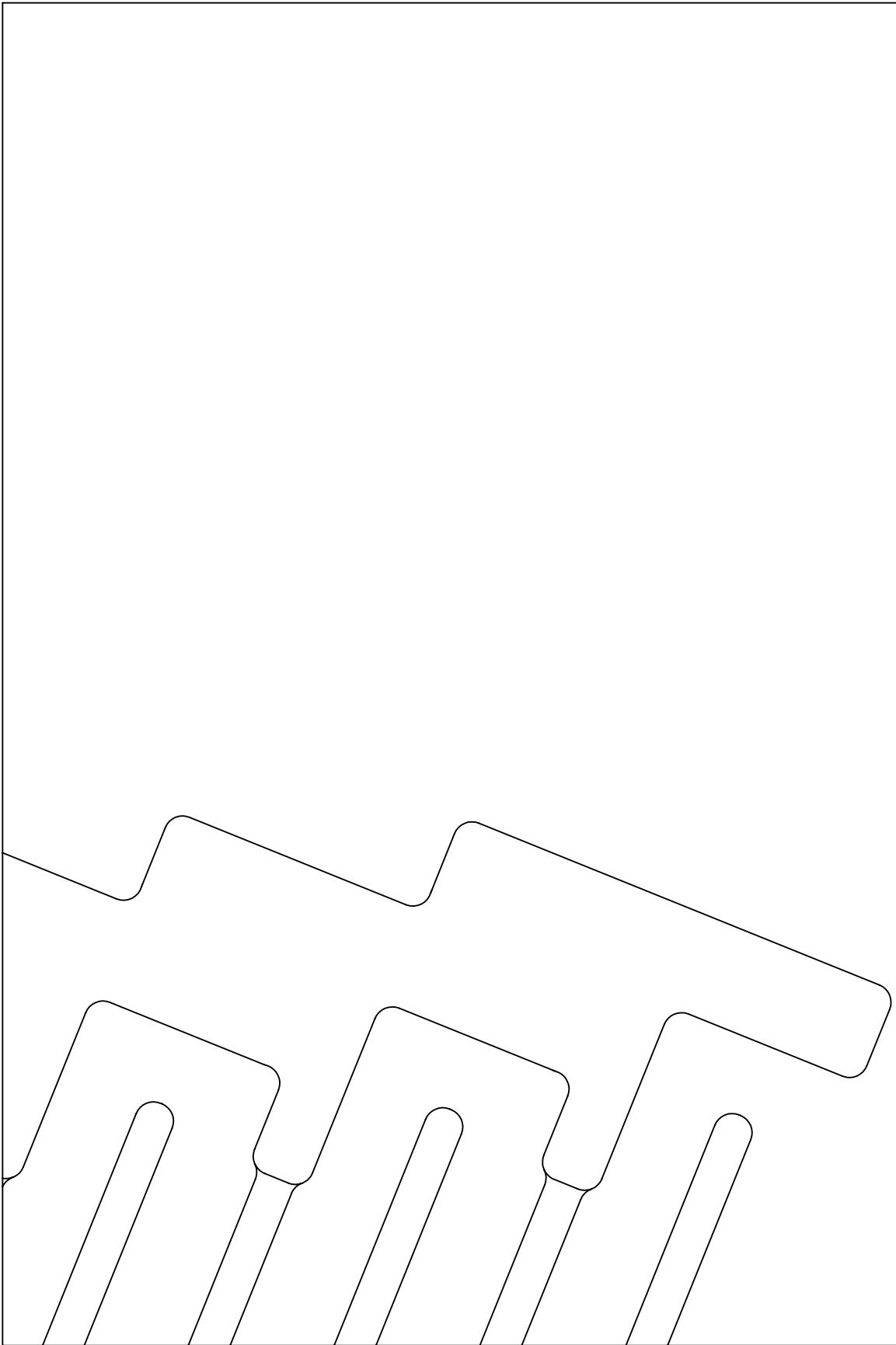
1.00 IN

PAGE KEY

									X

1.00
IN

Print on Letter at 100%



DATE CREATED
17 SEP 2020

PART NUMBER
F-03790-R

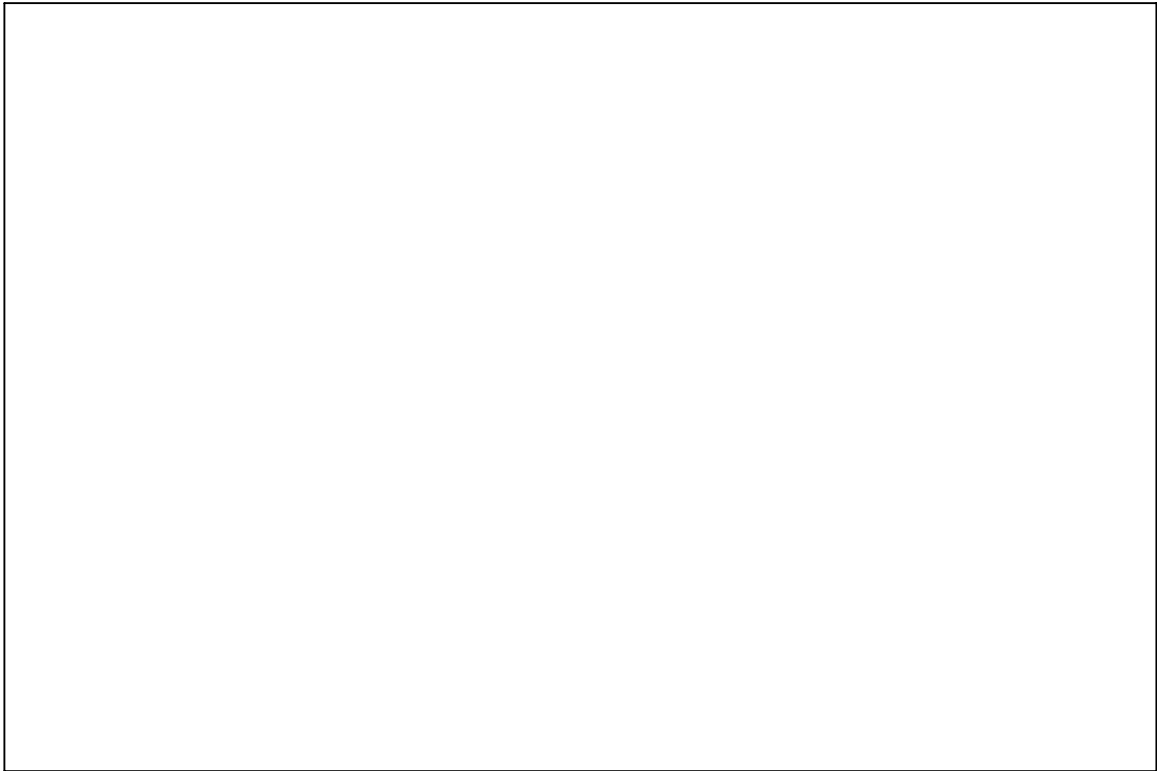
1.00 IN

PAGE KEY

X									

1.00
IN

Print on Letter at 100%



DATE CREATED

17 SEP 2020

PART NUMBER

F-03790-R

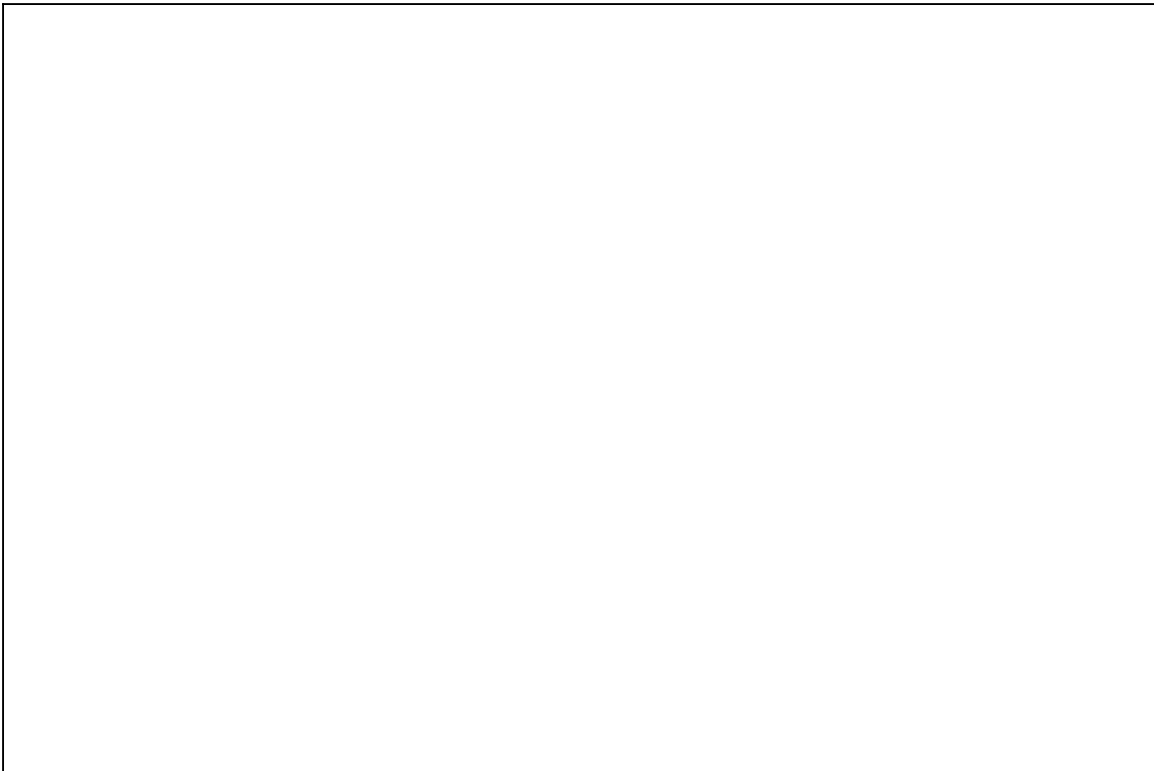
1.00 IN

PAGE KEY

X									

1.00
IN

Print on Letter at 100%



DATE CREATED

17 SEP 2020

PART NUMBER

F-03790-R

